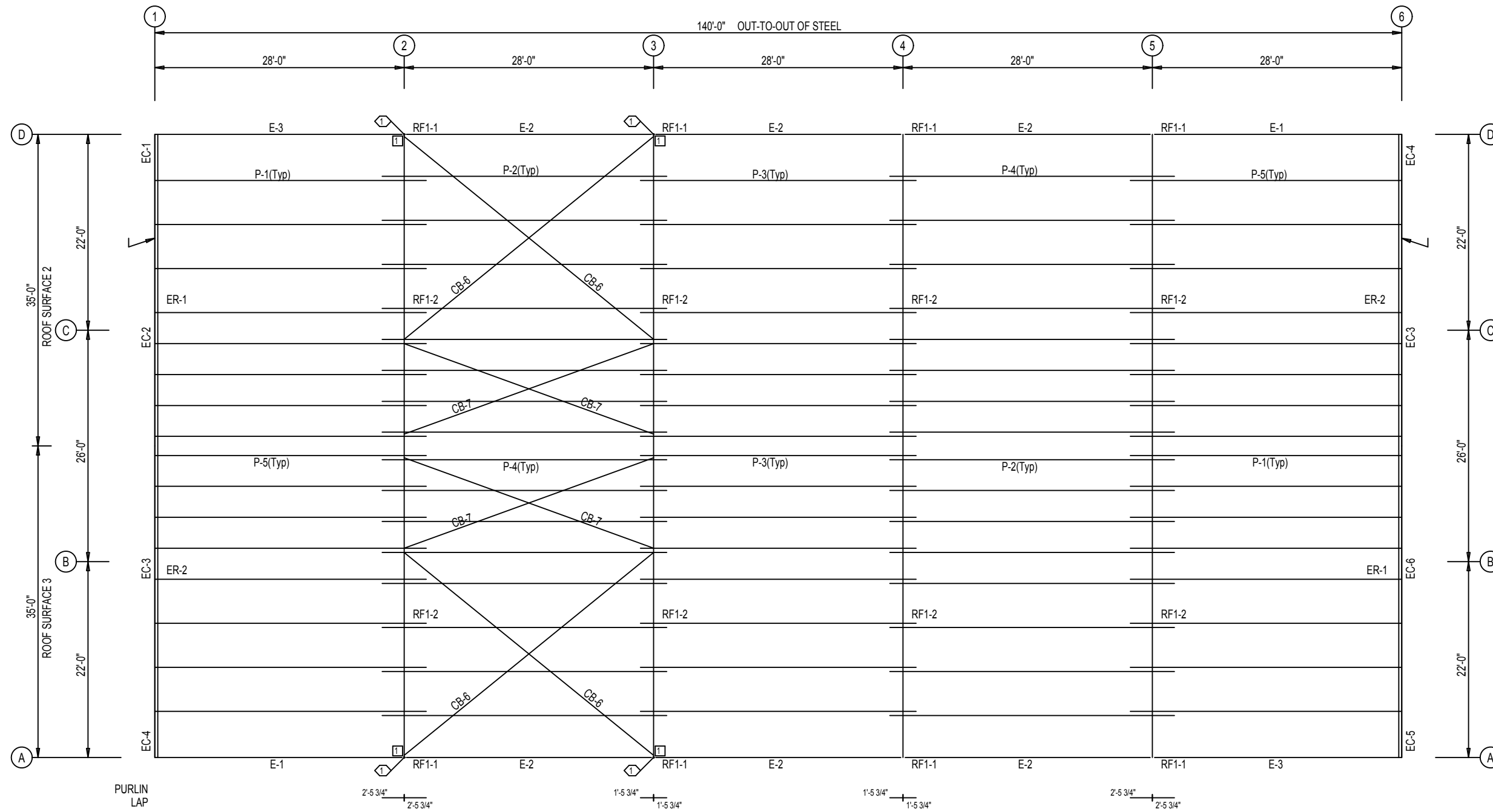


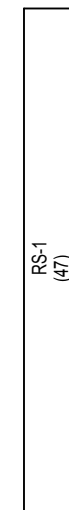
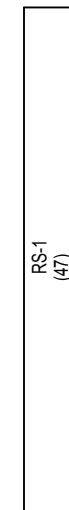
NOT FOR CONSTRUCTION

SPECIAL BOLTS					
ROOF PLAN					
○ ID	QUAN	TYPE	DIA	LENGTH	WASH
1	4	A325	1/2"	1 1/4"	2

CONNECTION PLATES	
ROOF PLAN	
□ ID	MARK/PART
1	SC18



ROOF FRAMING PLAN

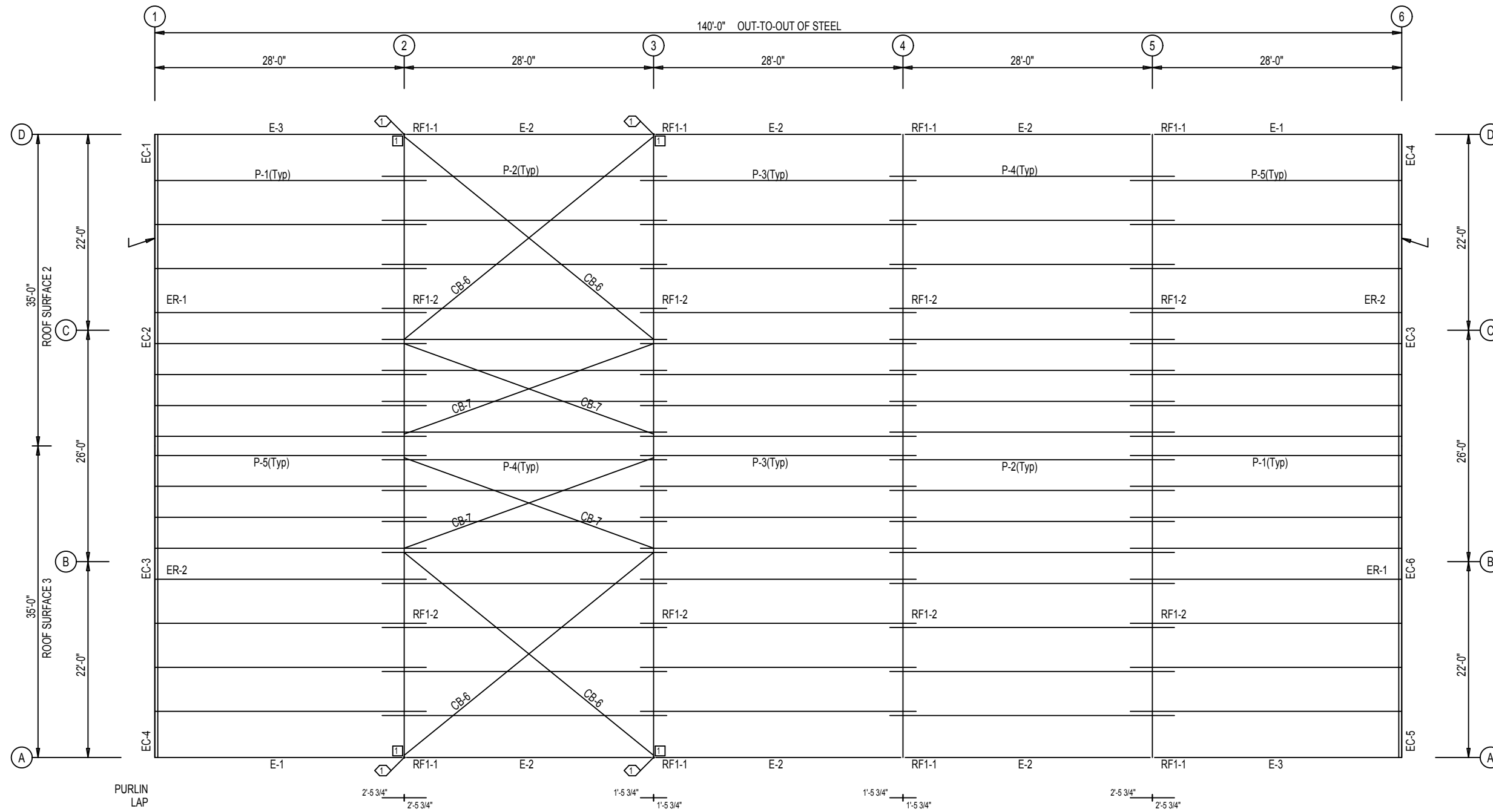


ROOF SHEETING
 PANELS: 26 Gauge PBR
 Galvalume

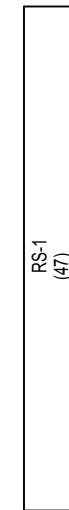
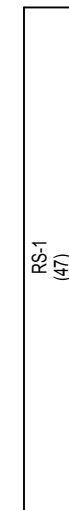
NOT FOR CONSTRUCTION

SPECIAL BOLTS					
ROOF PLAN					
○ ID	QUAN	TYPE	DIA	LENGTH	WASH
1	4	A325	1/2"	1 1/4"	2

CONNECTION PLATES	
ROOF PLAN	
□ ID	MARK/PART
1	SC18



ROOF FRAMING PLAN

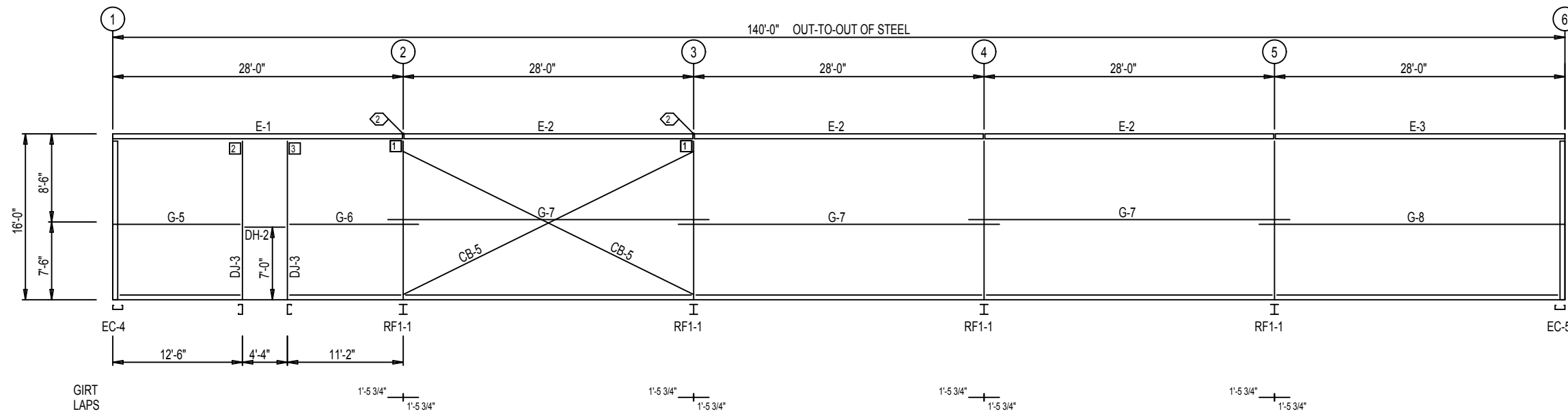


ROOF SHEETING
 PANELS: 26 Gauge PBR
 Galvalume

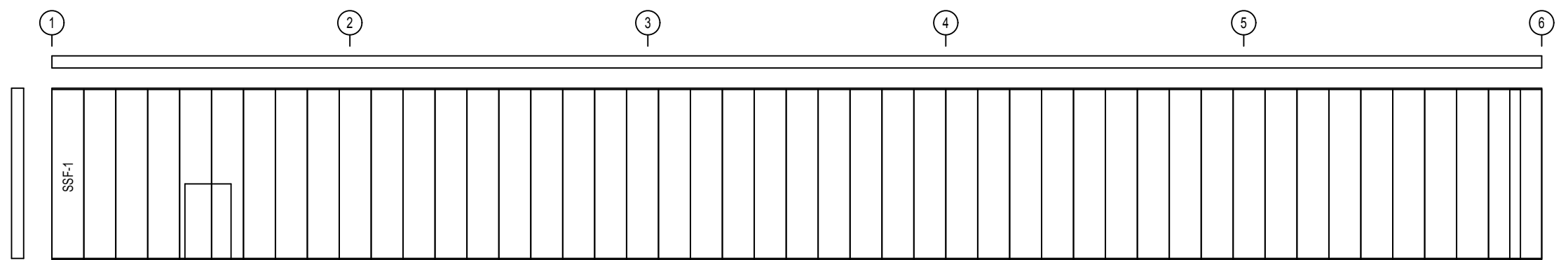
NOT FOR CONSTRUCTION

SPECIAL BOLTS					
ID	QUAN	TYPE	DIA	LENGTH	WASH
2	4	A325	1/2"	1 1/4"	2

CONNECTION PLATES FRAME LINE A	
ID	MARK/PART
1	SC18
2	SC585 L
3	SC585 R



SIDEWALL FRAMING: FRAME LINE A



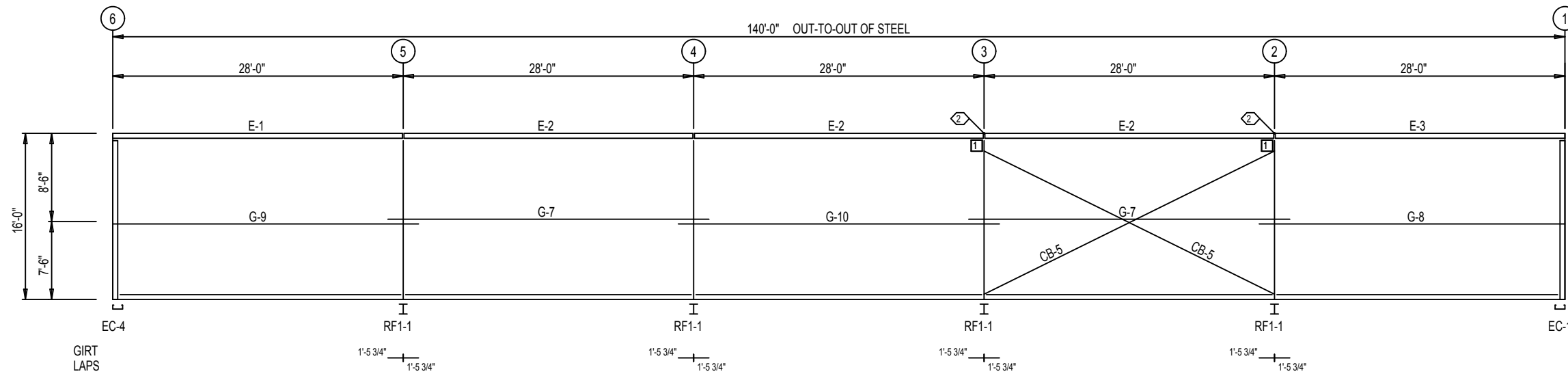
SIDEWALL SHEETING & TRIM: FRAME LINE A

PANELS: 26 Gauge PBR - Polar White

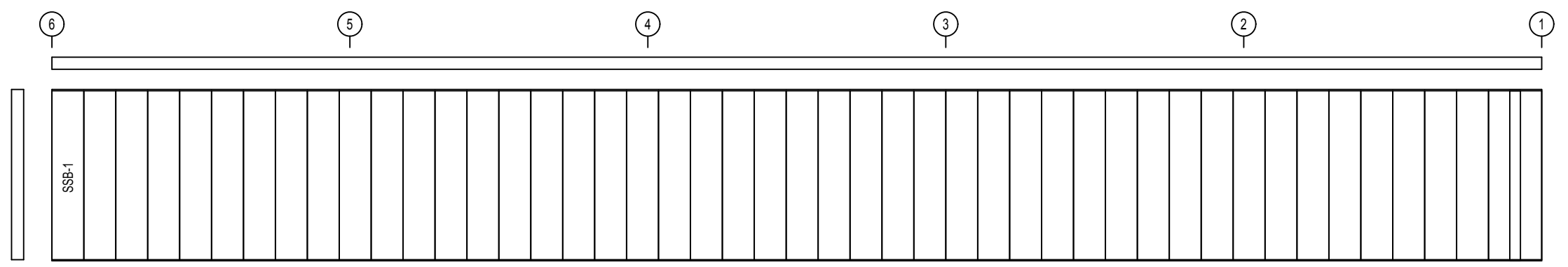
NOT FOR CONSTRUCTION

SPECIAL BOLTS					
ID	QUAN	TYPE	DIA	LENGTH	WASH
2	4	A325	1/2"	1 1/4"	2

CONNECTION PLATES	
FRAME LINE D	
ID	MARK/PART
1	SC18



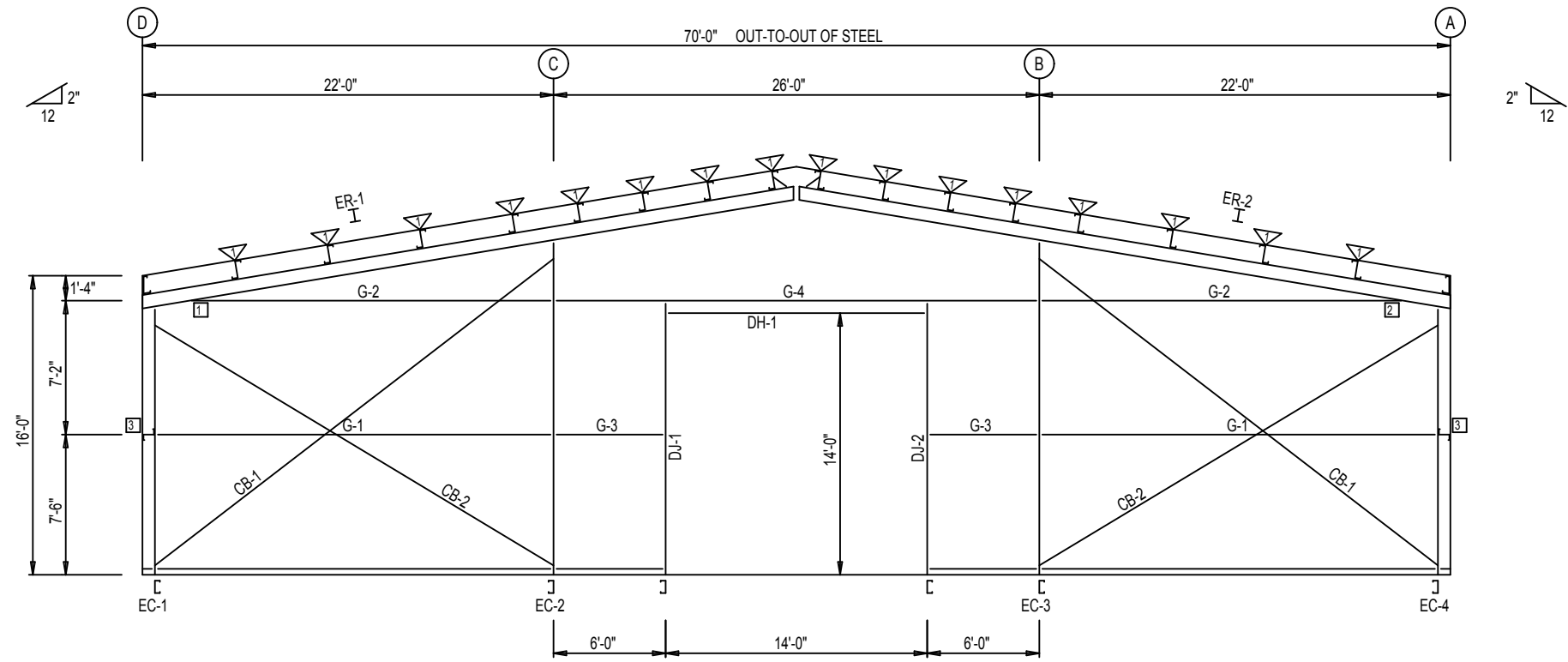
SIDEWALL FRAMING: FRAME LINE D



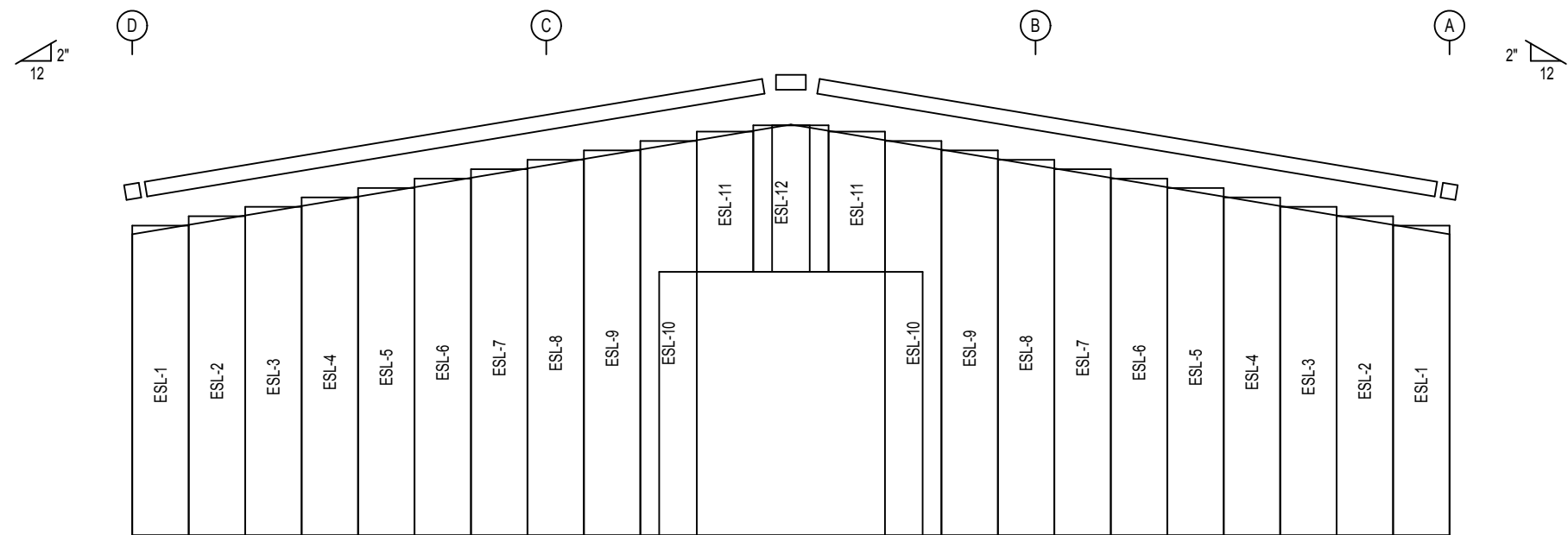
SIDEWALL SHEETING & TRIM: FRAME LINE D

PANELS: 26 Gauge PBR - Polar White

NOT FOR CONSTRUCTION



ENDWALL FRAMING: FRAME LINE 1



ENDWALL SHEETING & TRIM: FRAME LINE 1

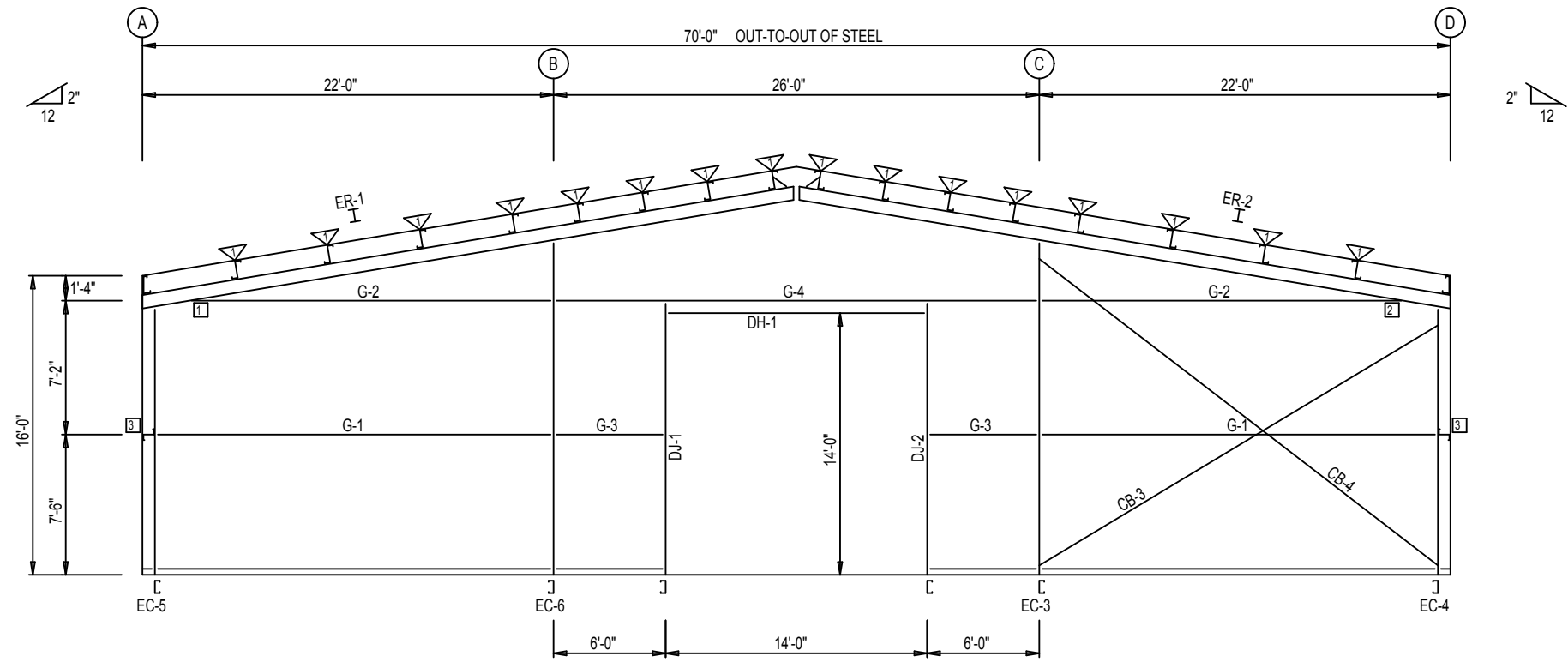
PANELS: 26 Gauge PBR - Polar White

BOLT TABLE				
FRAME LINE 1				
LOCATION	QUAN	TYPE	DIA	LENGTH
ER-1/ER-2	8	A325	5/8"	1 3/4"
Columns/Raf	4	A325	1/2"	1 1/4"

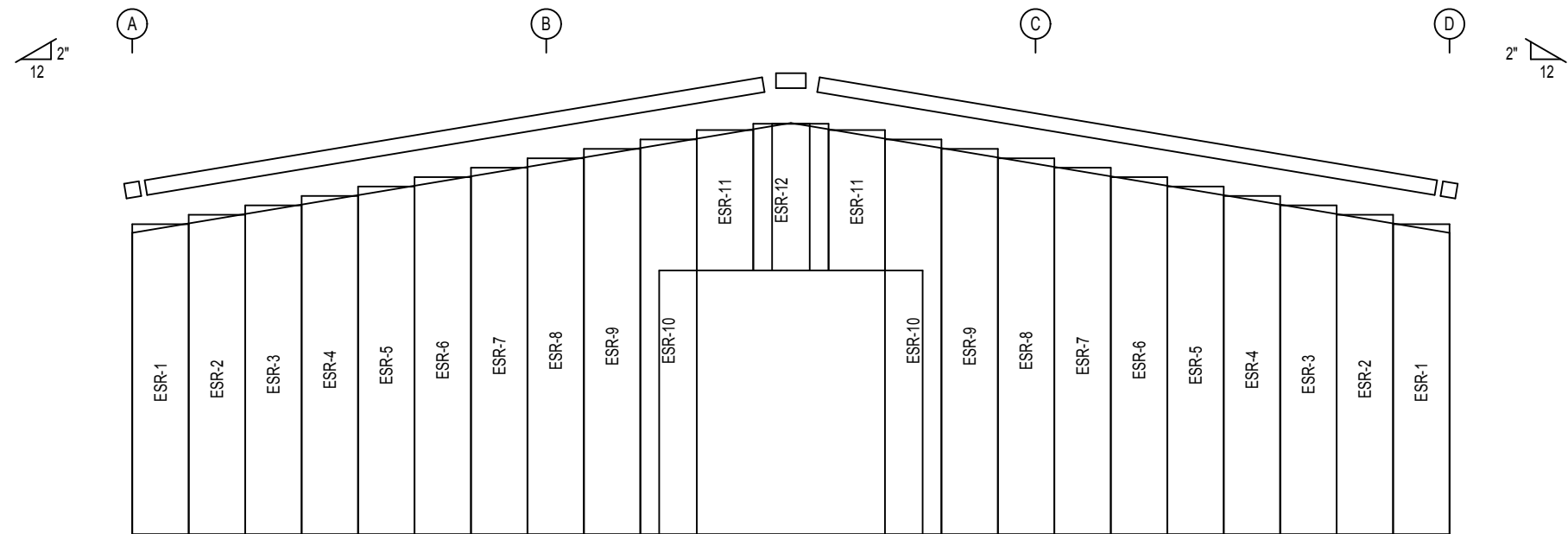
FLANGE BRACE TABLE		
FRAME LINE 1		
▽ ID	PART	LENGTH
FB31.5	L2X2X14G	2'-7 1/2"

CONNECTION PLATES	
FRAME LINE 1	
□ ID	MARK/PART
1	b1
2	b2
3	SC-5

NOT FOR CONSTRUCTION



ENDWALL FRAMING: FRAME LINE 6



ENDWALL SHEETING & TRIM: FRAME LINE 6

PANELS: 26 Gauge PBR - Polar White

BOLT TABLE				
FRAME LINE 6				
LOCATION	QUAN	TYPE	DIA	LENGTH
ER-1/ER-2	8	A325	5/8"	1 3/4"
Columns/Raf	4	A325	1/2"	1 1/4"

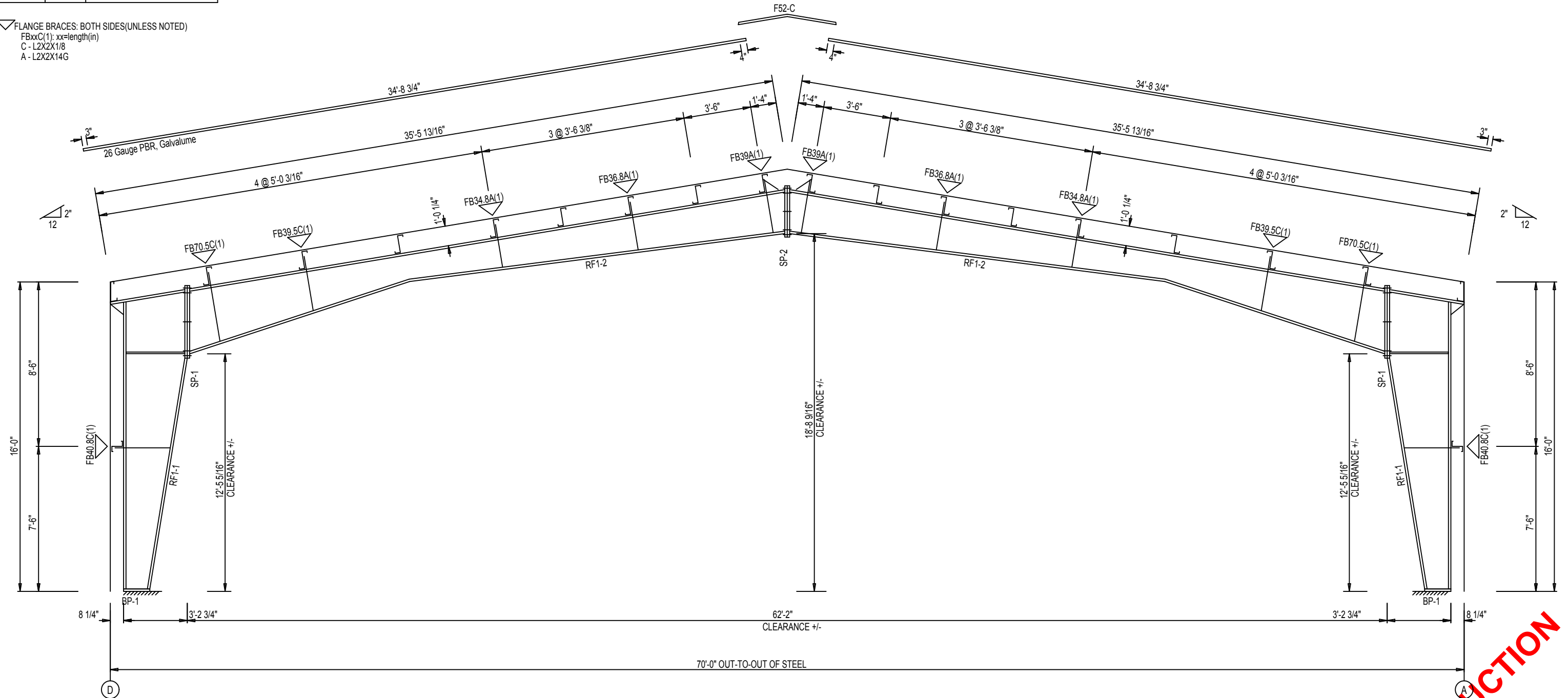
FLANGE BRACE TABLE		
FRAME LINE 6		
▽ ID	PART	LENGTH
FB31.5	L2X2X14G	2'-7 1/2"

CONNECTION PLATES	
FRAME LINE 6	
□ ID	MARK/PART
1	b1
2	b2
3	SC-5

NOT FOR CONSTRUCTION

STIFFENER TABLE				
Mark	Stiff Mark	Width	Plate Size Thick	Length
RF1-1	St-1	4"	1/4"	38"

▽ FLANGE BRACES: BOTH SIDES (UNLESS NOTED)
 FBxxC(1): xx=length(in)
 C - L2X2X1/8
 A - L2X2X14G



FRAME CROSS SECTION: FRAME LINE 2 3 4 5

NOT FOR CONSTRUCTION