

265219738

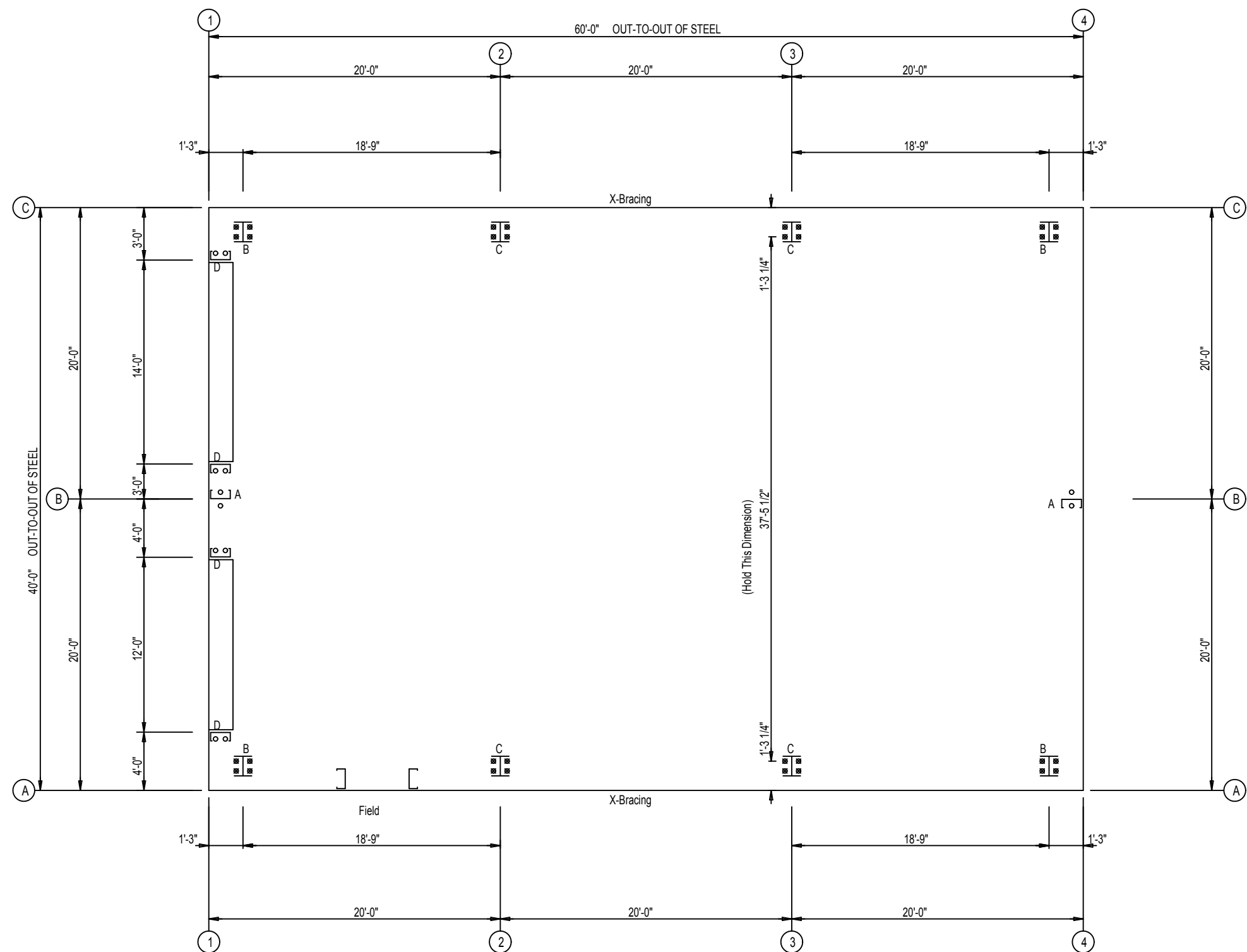
Building Layout

5/28/21

**NOT FOR CONSTRUCTION**

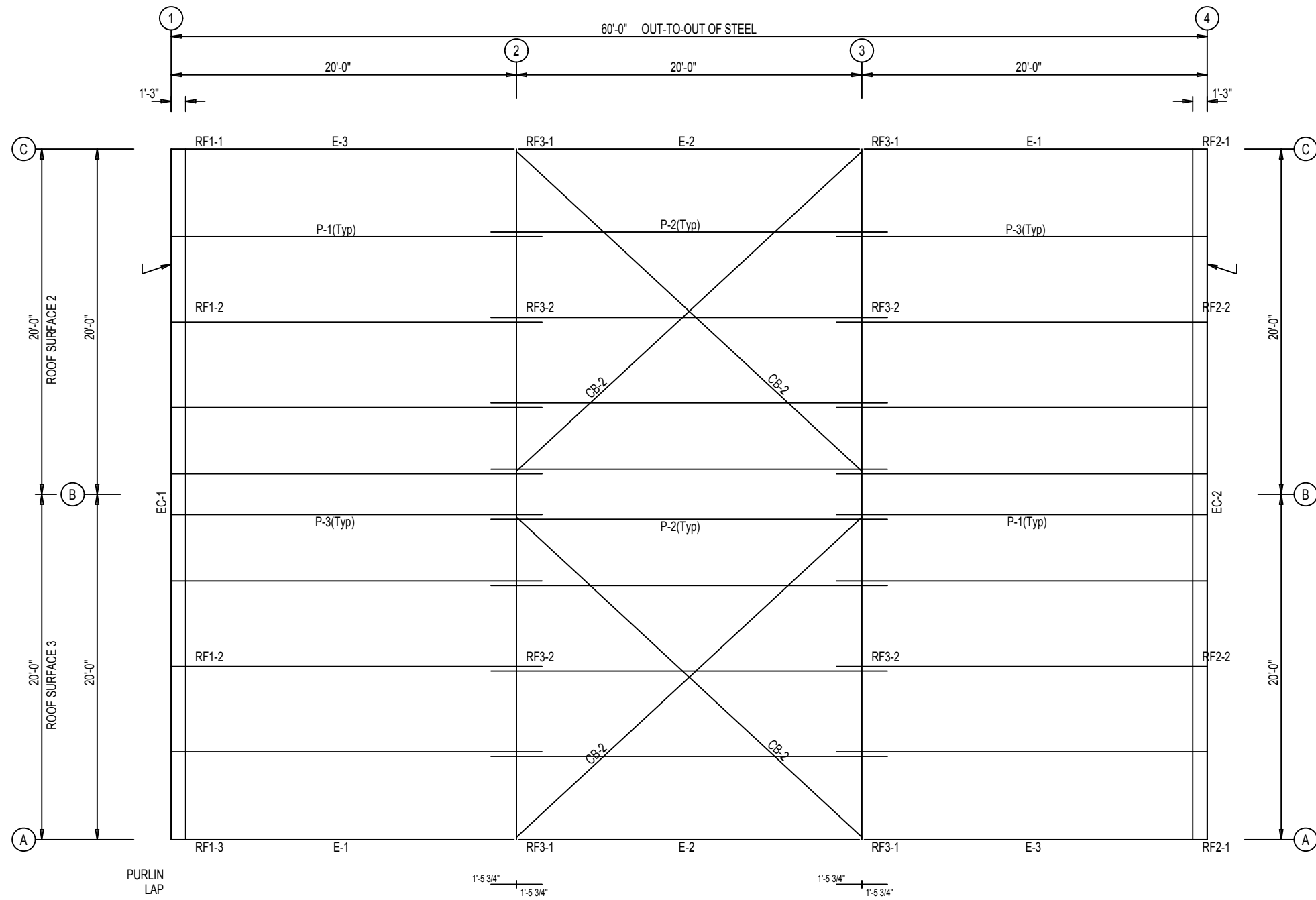
○ Dia= 5/8"

⊗ Dia= 3/4"

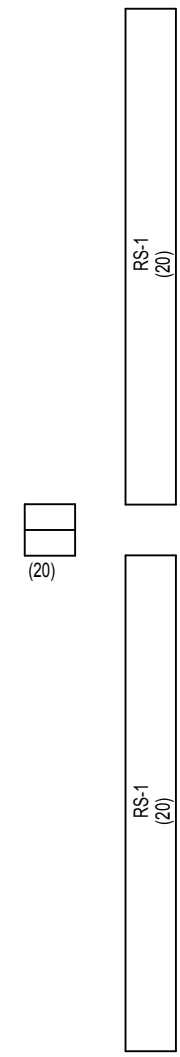


ANCHOR BOLT PLAN

**NOT FOR CONSTRUCTION**

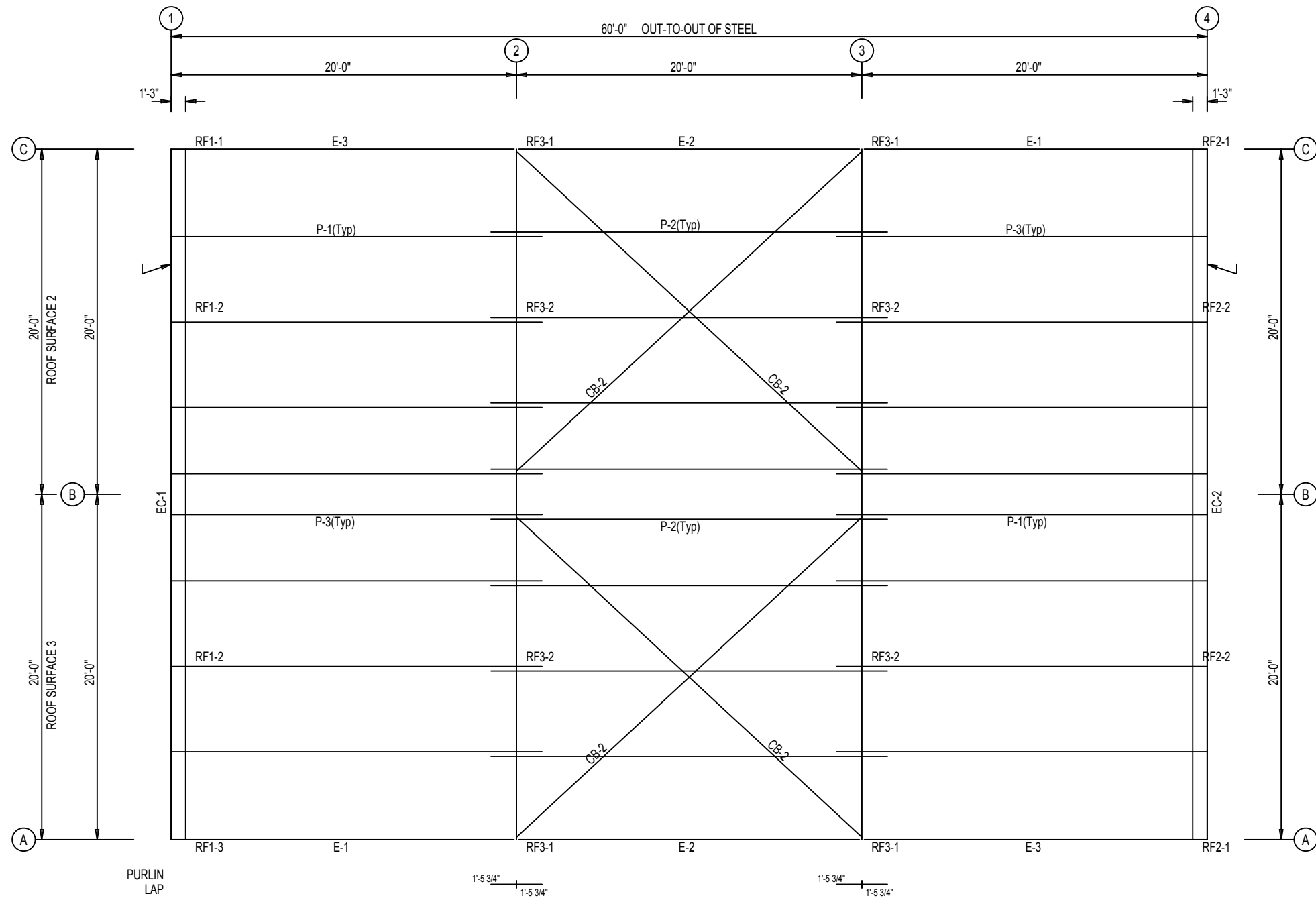


ROOF FRAMING PLAN

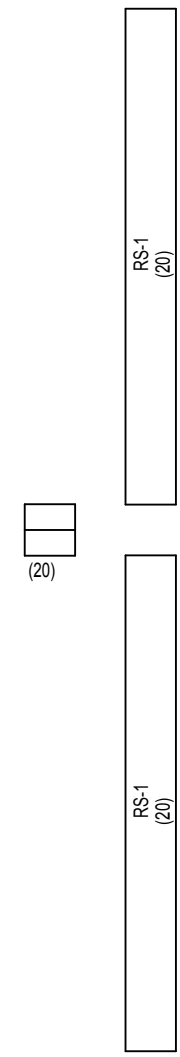


ROOF SHEETING  
 PANELS: 26 Gauge PBR Galvalume

**NOT FOR CONSTRUCTION**



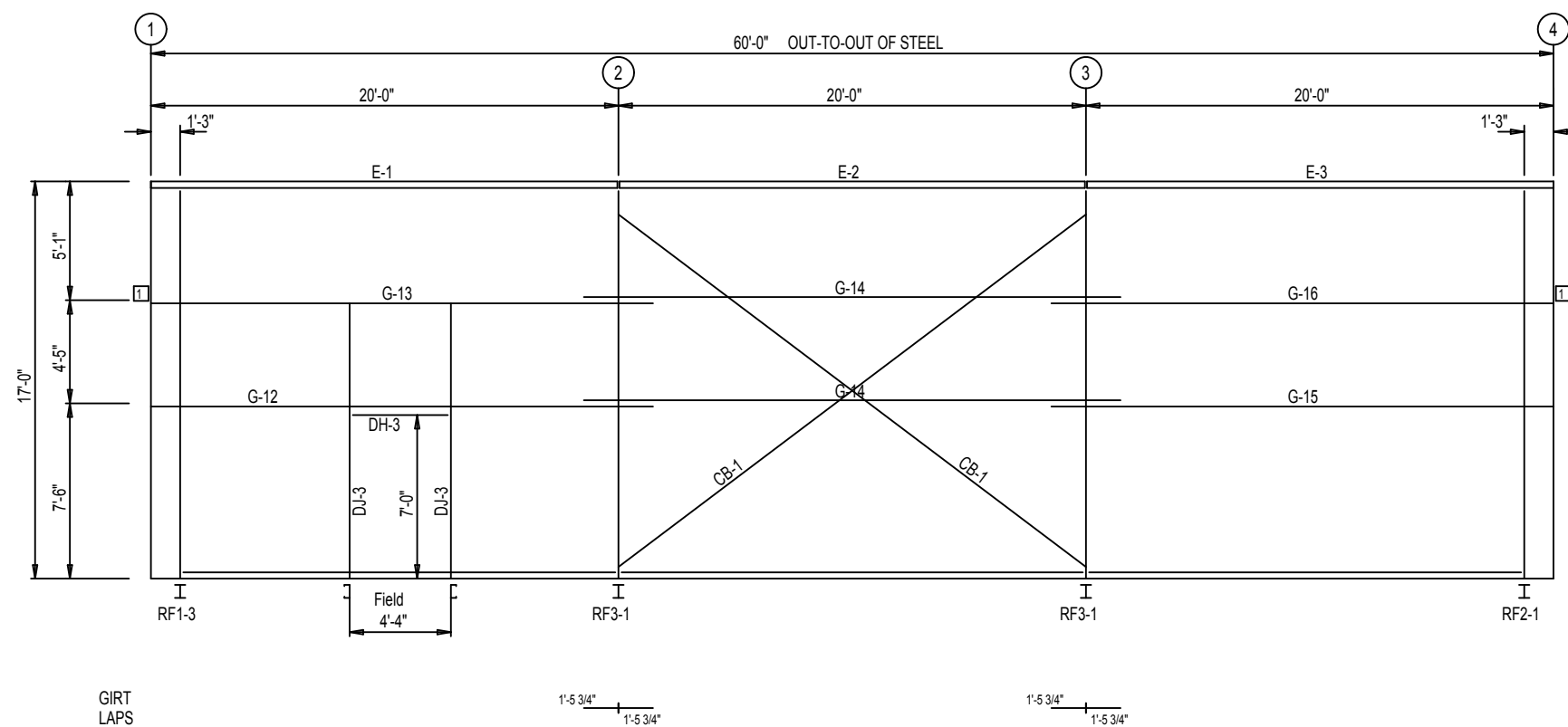
ROOF FRAMING PLAN



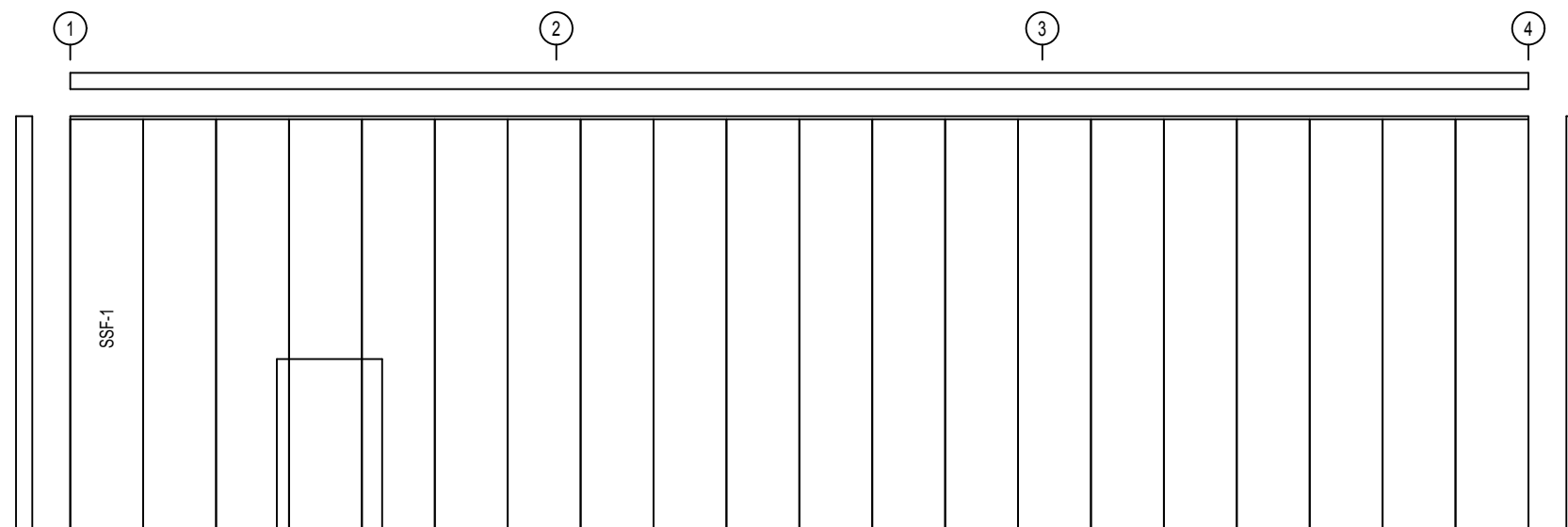
ROOF SHEETING  
 PANELS: 26 Gauge PBR Galvalume

**NOT FOR CONSTRUCTION**

CONNECTION PLATES	
FRAME LINE A	
ID	MARK/PART
1	SC-5



SIDEWALL FRAMING: FRAME LINE A

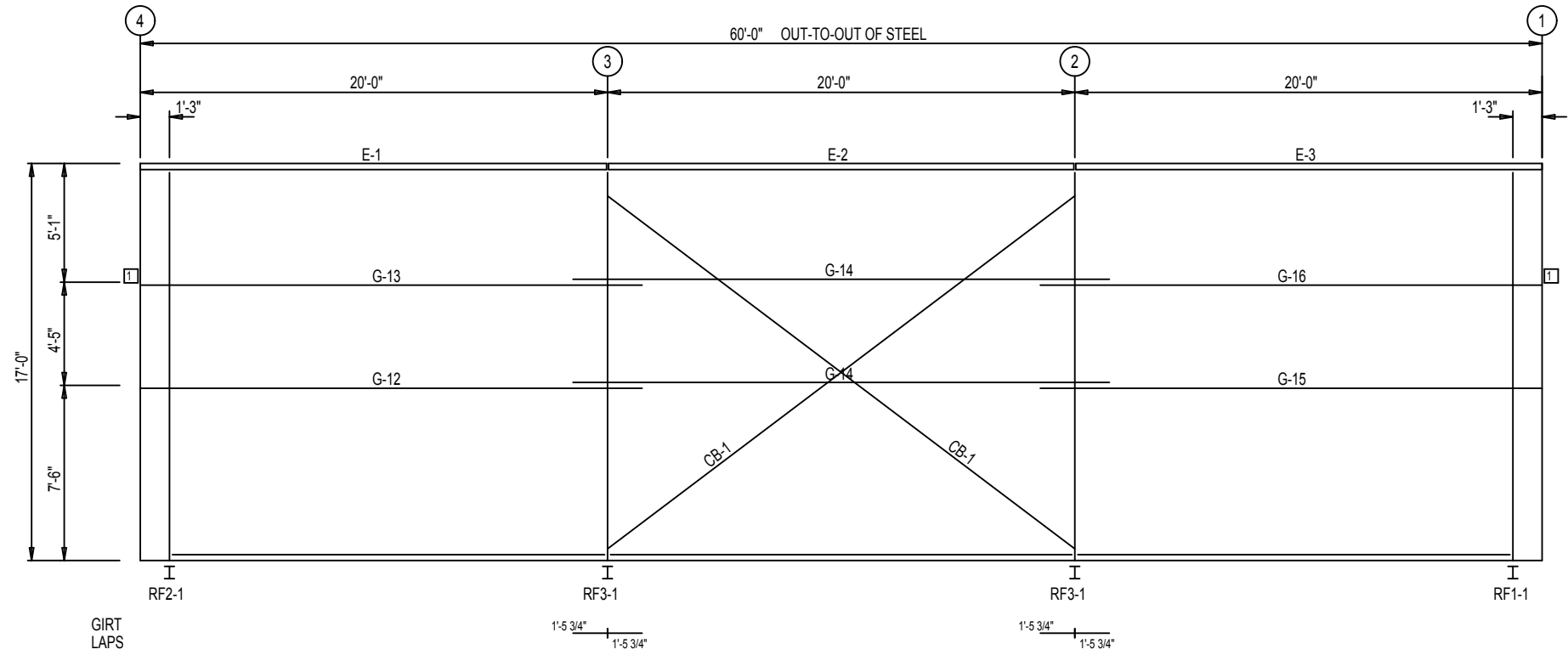


SIDEWALL SHEETING & TRIM: FRAME LINE A

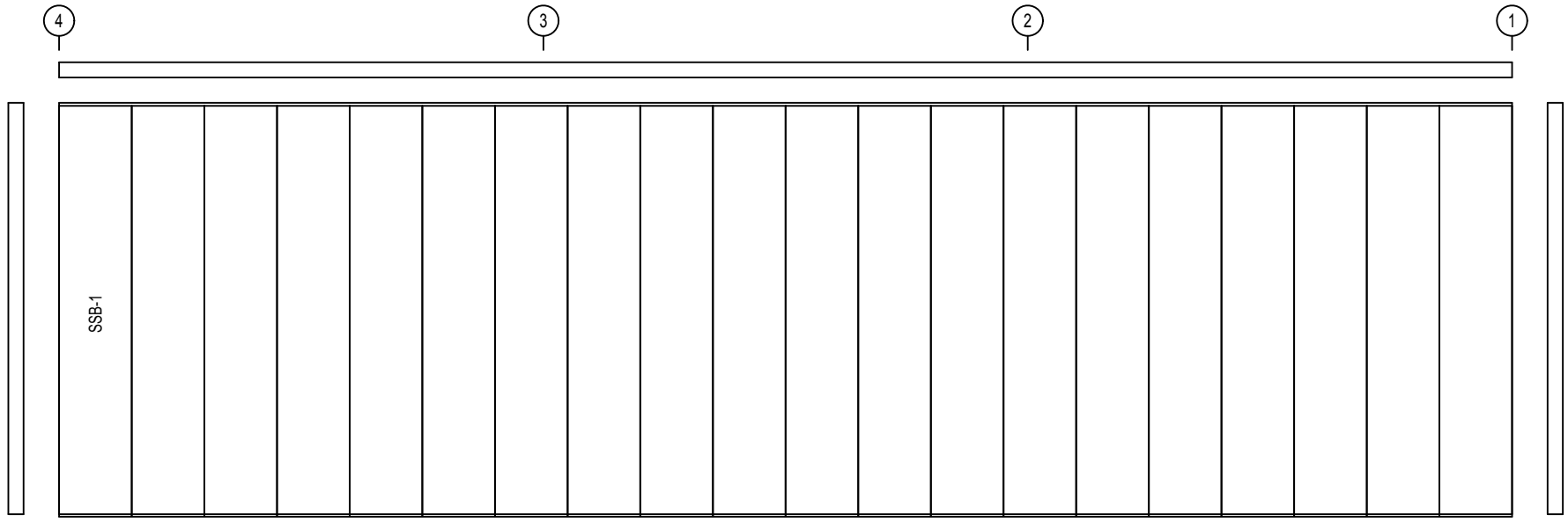
PANELS: 26 Gauge PBR - Polar White

**NOT FOR CONSTRUCTION**

CONNECTION PLATES	
FRAME LINE C	
ID	MARK/PART
1	SC-5



SIDEWALL FRAMING: FRAME LINE C

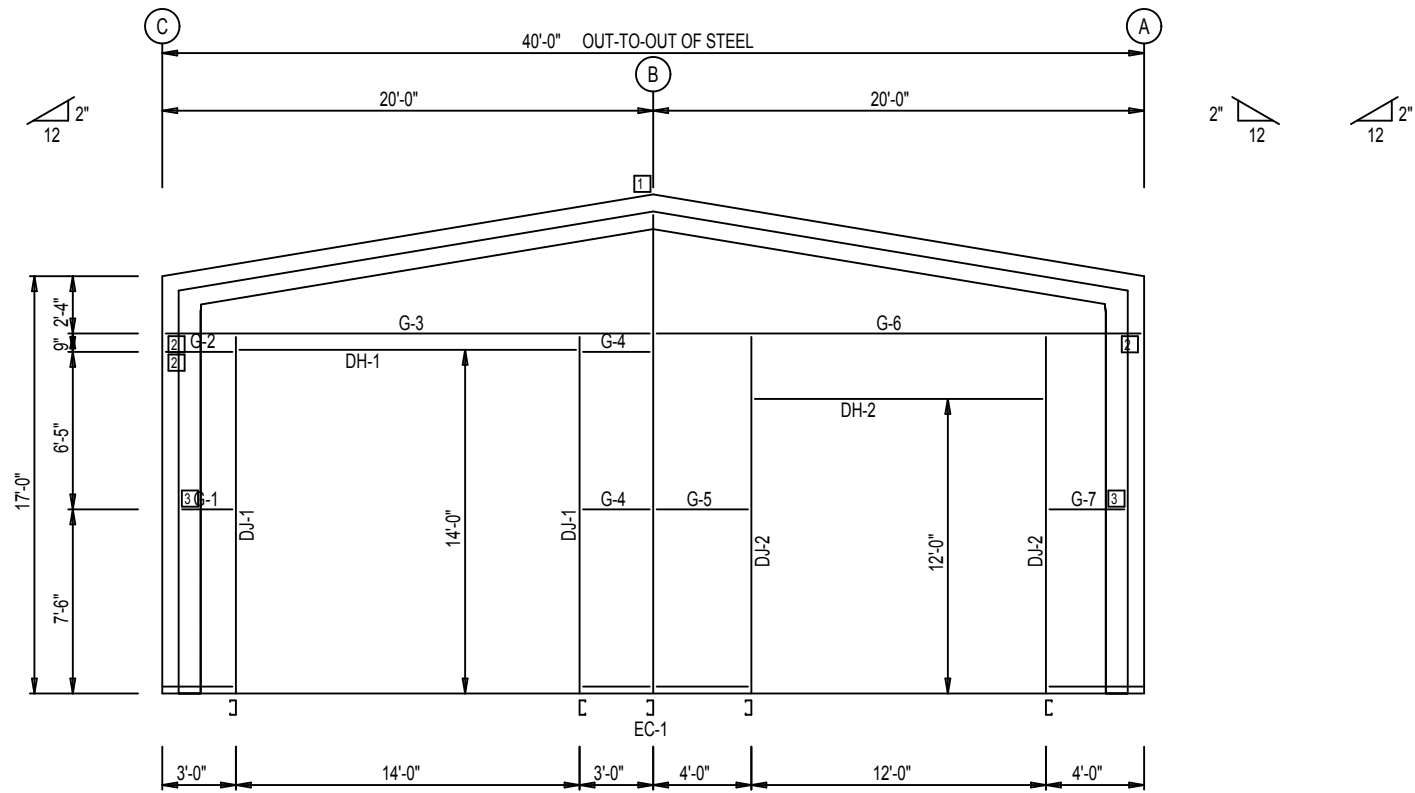


SIDEWALL SHEETING & TRIM: FRAME LINE C  
 PANELS: 26 Gauge PBR - Polar White

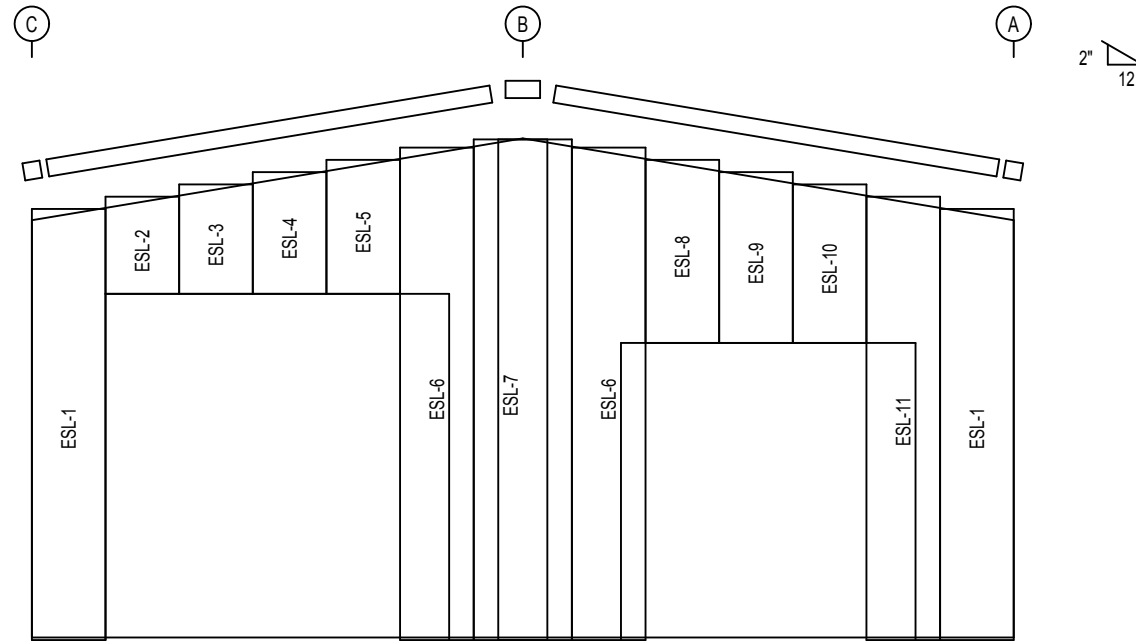
**NOT FOR CONSTRUCTION**

BOLT TABLE				
FRAME LINE 1				
LOCATION	QUAN	TYPE	DIA	LENGTH
Columns/Raf	4	A325	1/2"	1 1/4"

CONNECTION PLATES	
FRAME LINE 1	
ID	MARK/PART
1	n1
2	d1
3	SC-484



ENDWALL FRAMING: FRAME LINE 1



ENDWALL SHEETING & TRIM: FRAME LINE 1

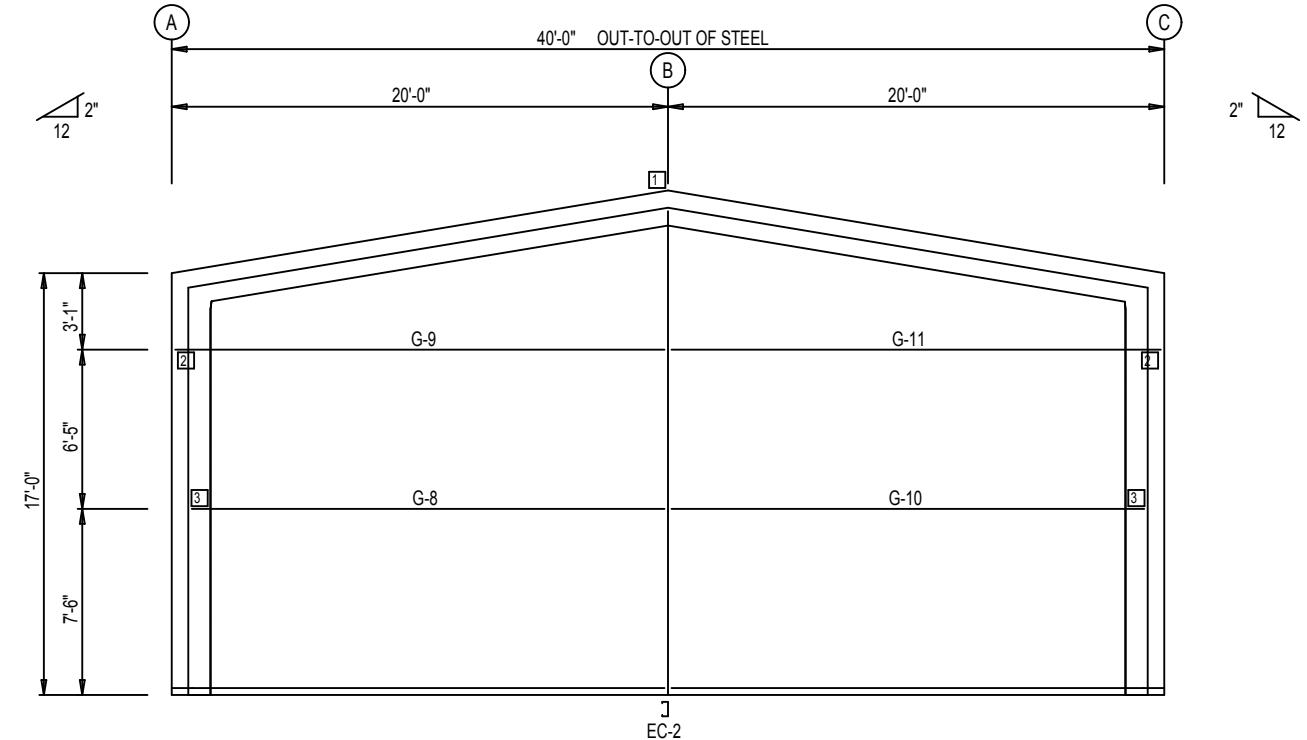
PANELS: 26 Gauge PBR - Polar White

**NOT FOR CONSTRUCTION**

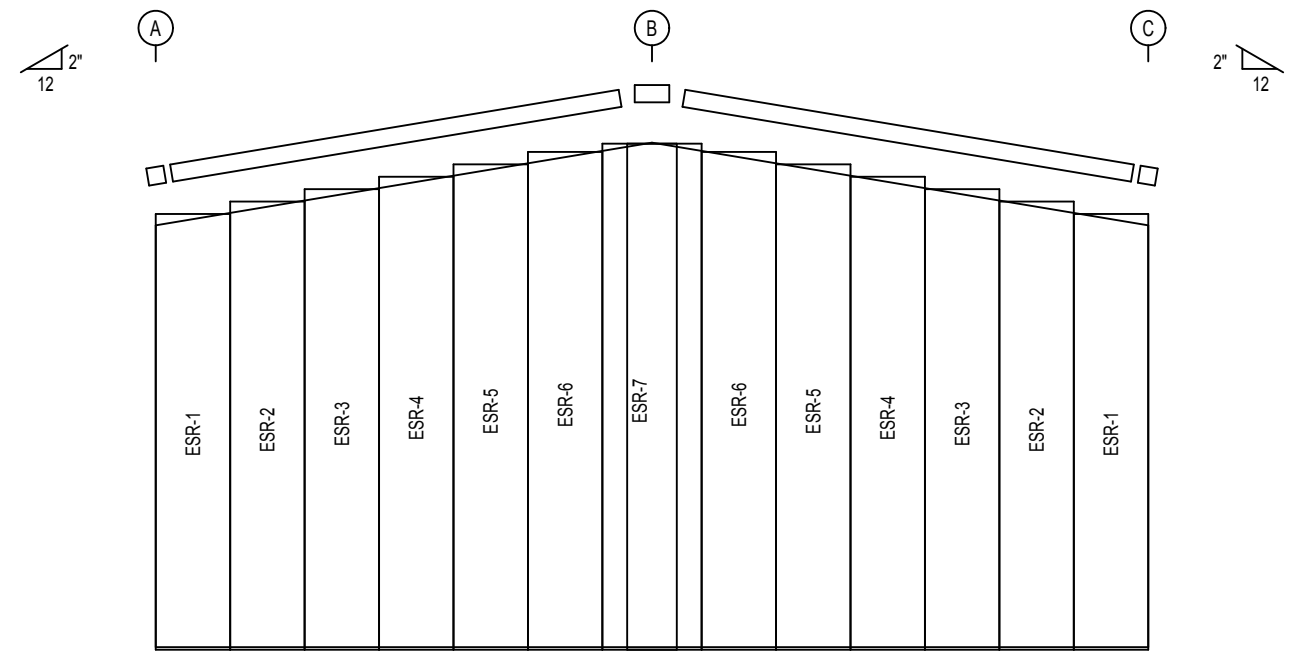
BOLT TABLE				
FRAME LINE 4				
LOCATION	QUAN	TYPE	DIA	LENGTH
Columns/Raf	4	A325	1/2"	1 1/4"

CONNECTION PLATES	
FRAME LINE 4	
ID	MARK/PART
1	n1
2	d1
3	SC-484



ENDWALL FRAMING: FRAME LINE 4



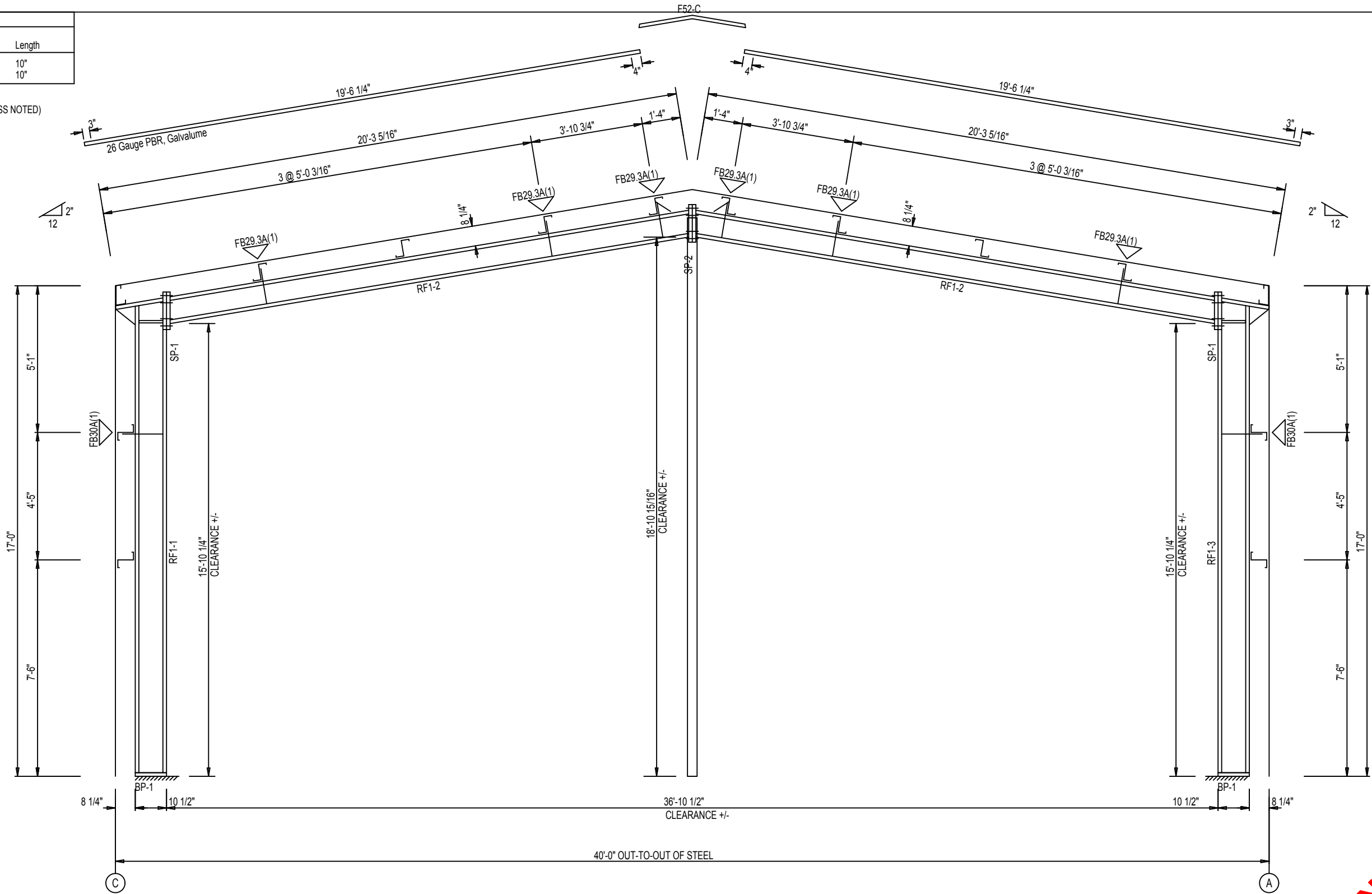
ENDWALL SHEETING & TRIM: FRAME LINE 4  
 PANELS: 26 Gauge PBR - Polar White

**NOT FOR CONSTRUCTION**



STIFFENER TABLE				
Mark	Stiff Mark	Width	Plate Size Thick	Length
RF1-1	St- 1	2 1/2	1/4"	10"
RF1-3	St- 1	2 1/2	1/4"	10"

FLANGE BRACES: BOTH SIDES (UNLESS NOTED)  
 FBxxA(1); xx=length(in)  
 A - L2X2X14G

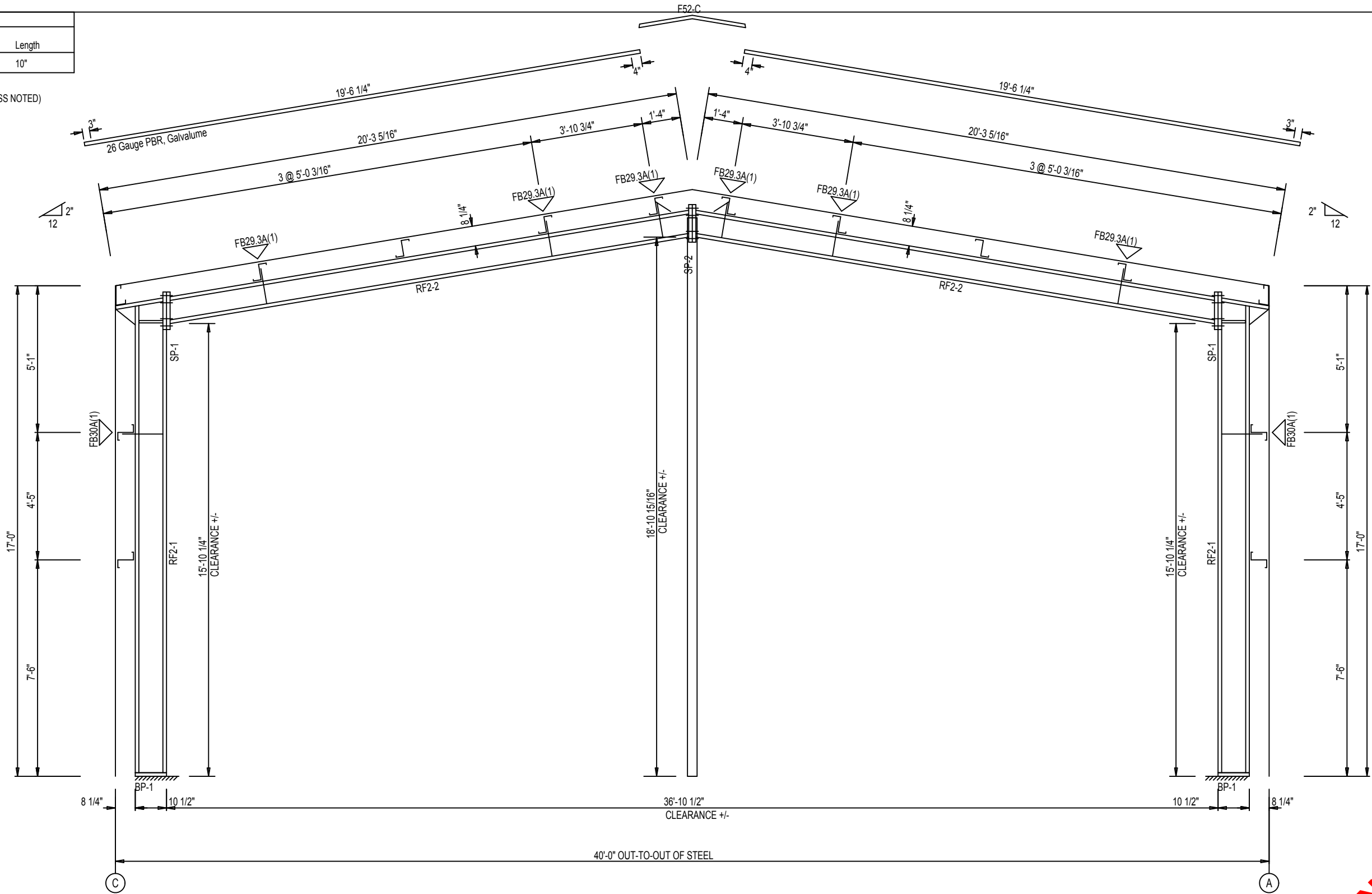


FRAME CROSS SECTION: FRAME LINE 1

**NOT FOR CONSTRUCTION**

STIFFENER TABLE				
Mark	Stiff Mark	Width	Plate Size Thick	Length
RF2-1	St-1	2 1/2	1/4"	10"

FLANGE BRACES: BOTH SIDES (UNLESS NOTED)  
 FBxxA(1); xx=length(in)  
 A - L2X2X14G

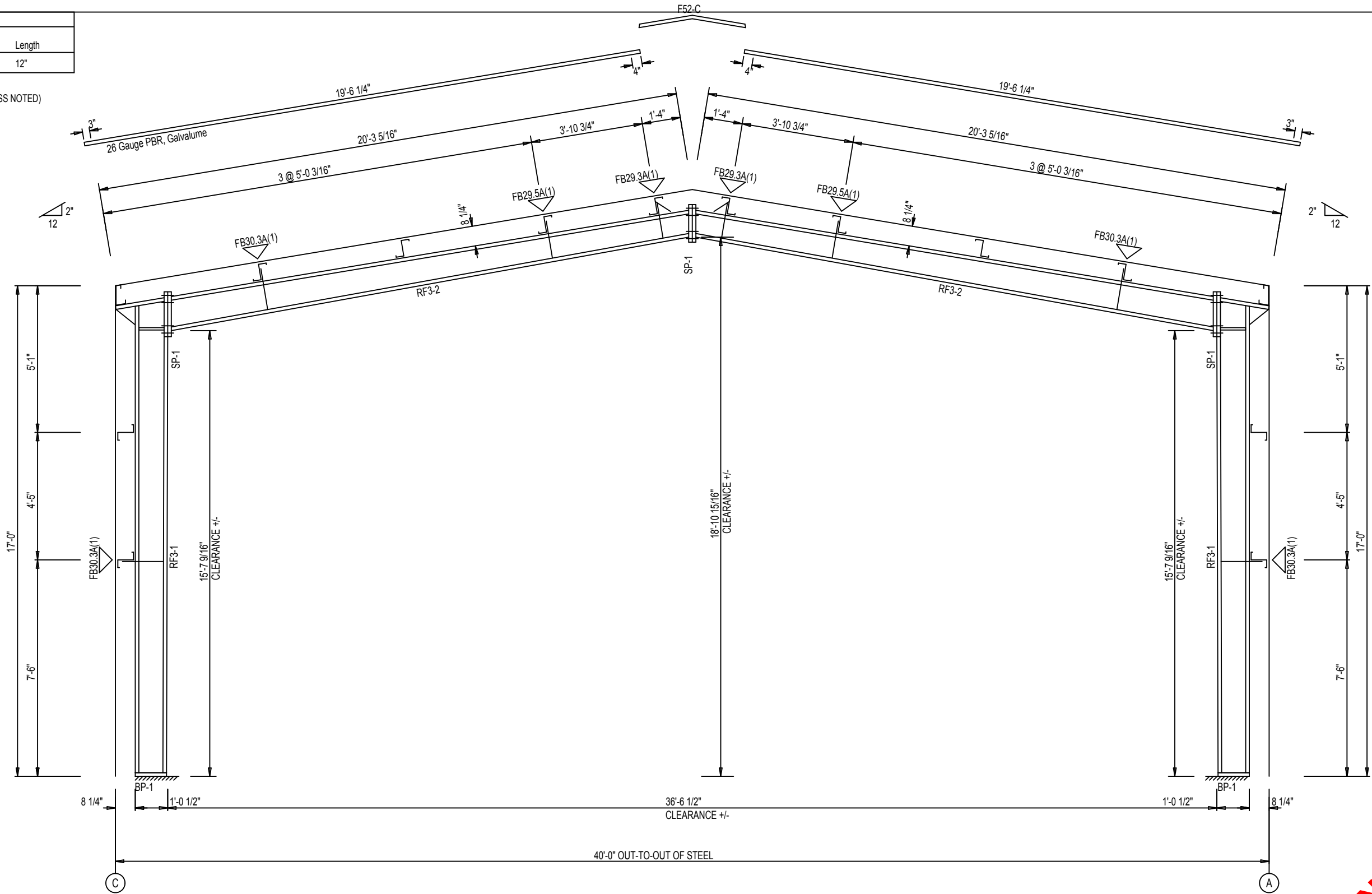


FRAME CROSS SECTION: FRAME LINE 4

**NOT FOR CONSTRUCTION**

STIFFENER TABLE				
Mark	Stiff Mark	Width	Plate Thick	Length
RF3-1	St-1	2 1/2"	1/4"	12"

FLANGE BRACES: BOTH SIDES (UNLESS NOTED)  
 FBxxA(1); xx=length(in)  
 A - L2X2X14G



FRAME CROSS SECTION: FRAME LINE 2 3

**NOT FOR CONSTRUCTION**